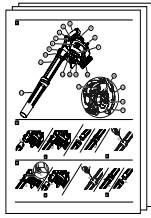


G09  
FORM NO. 769-05155



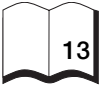
## English

(Translation of original operating instructions)



## Français

(Traduction de la notice d'instructions d'origine)



## Deutsch

(Originalbetriebsanleitung)



## Nederlands

(Vertaling van de originele gebruiksaanwijzing)



## Italiano

Traduzione delle istruzioni per l'uso originali)



## Dansk

(Oversættelse af den originale driftsvejledning)



## Svenska

(Översättning av originalbruksanvisningen)



## Polski

(Tłumaczenie oryginalnej instrukcji użytkownika i obsługi)

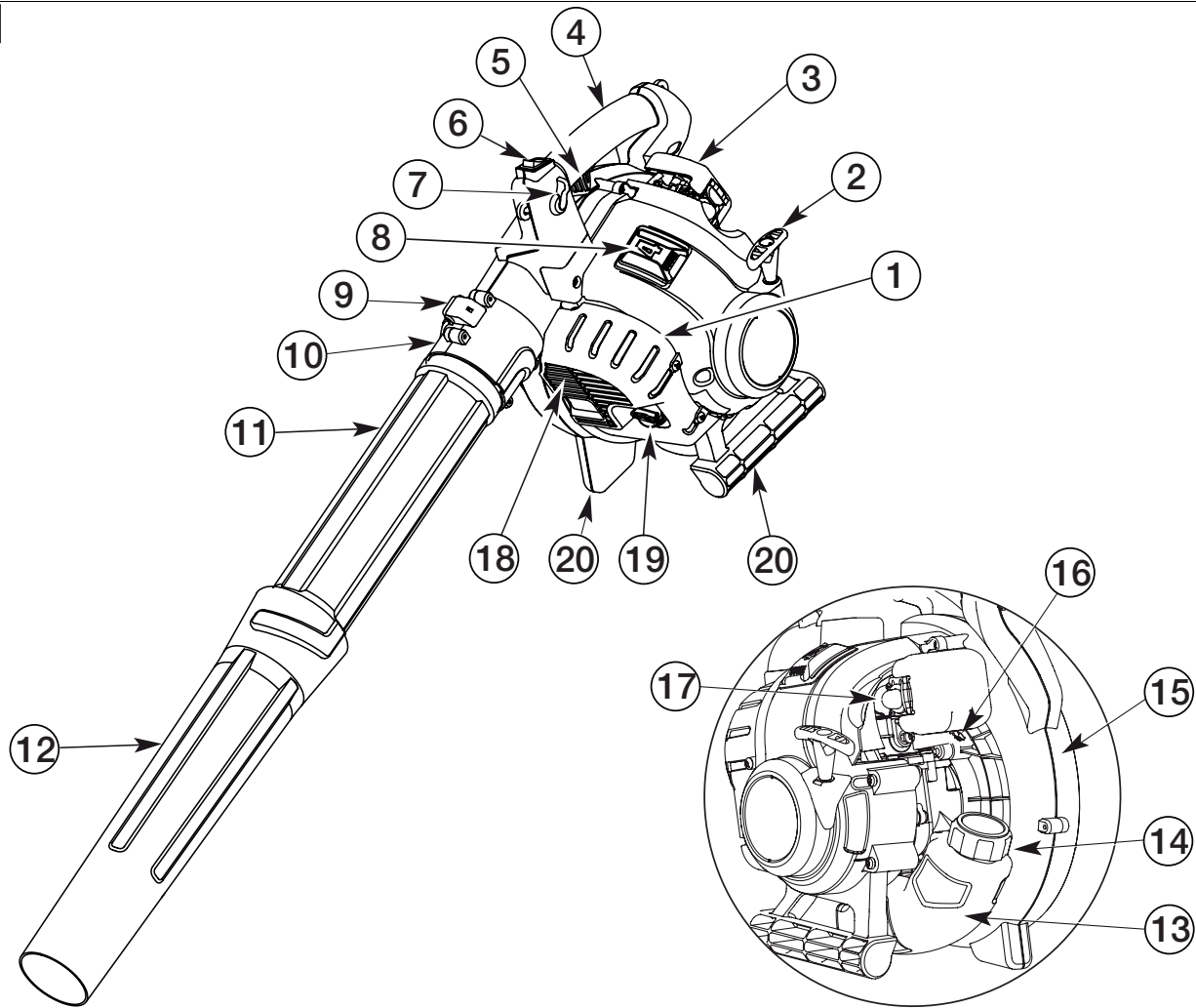


## Magyar

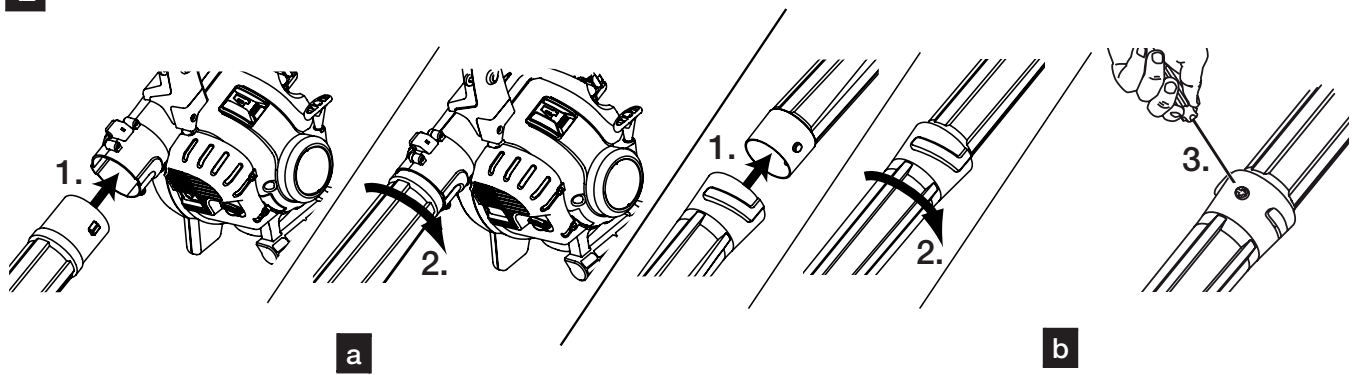
(Az eredet (német nyelvű) üzemeltetési útmutató fordítása)



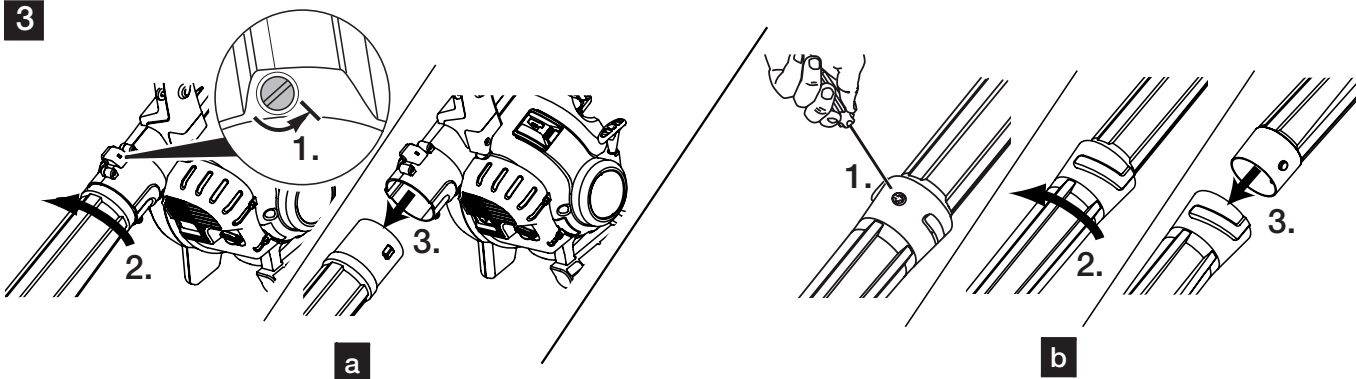
1



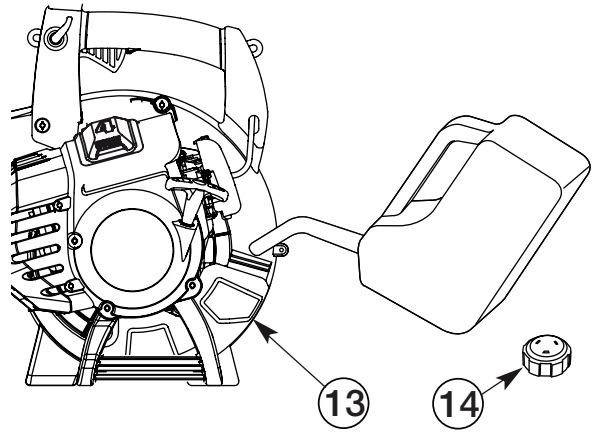
2



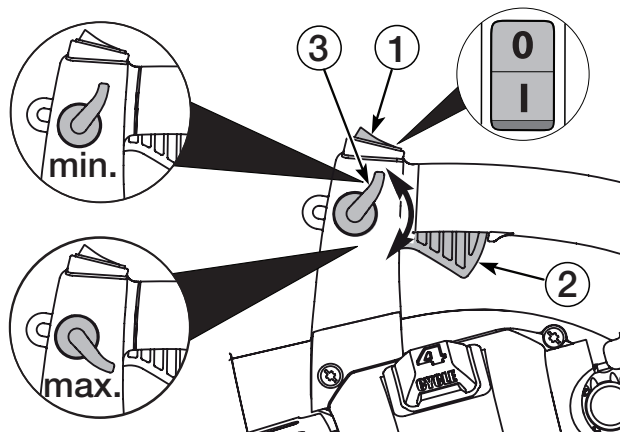
3



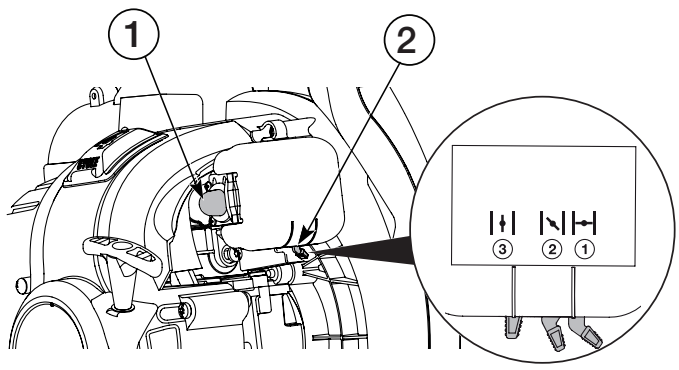
4



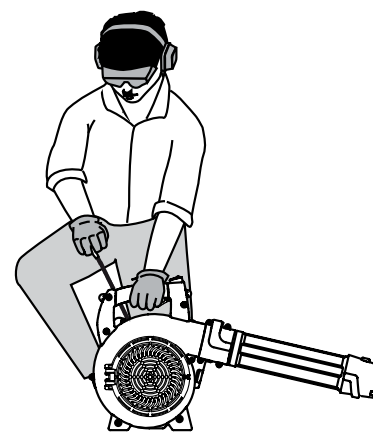
5



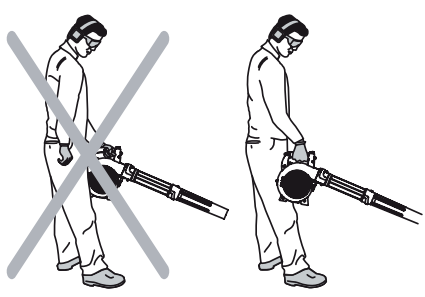
6



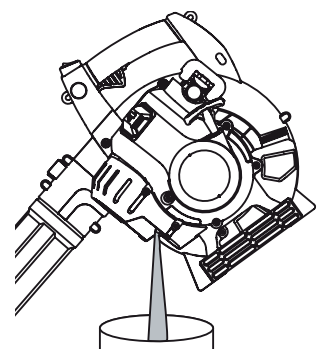
7



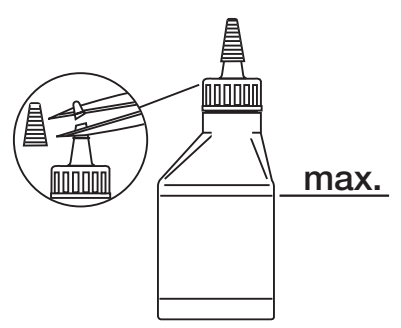
8



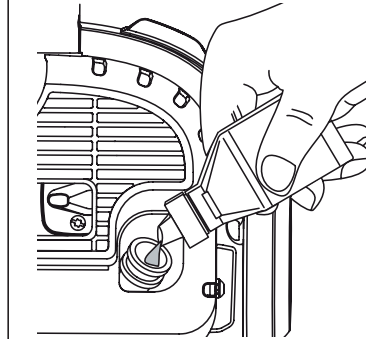
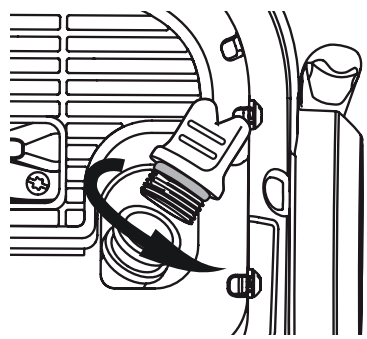
9



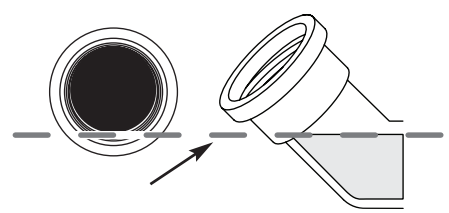
10



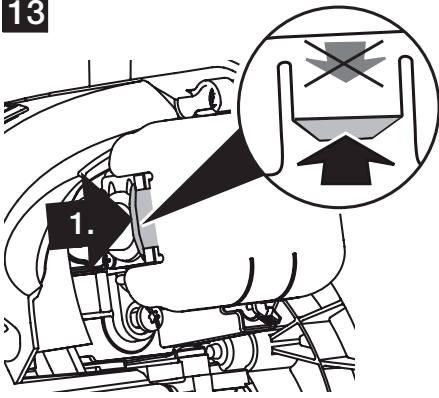
11



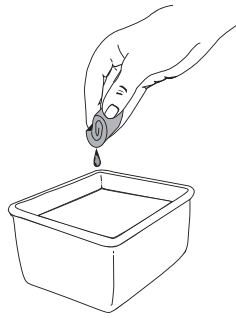
12



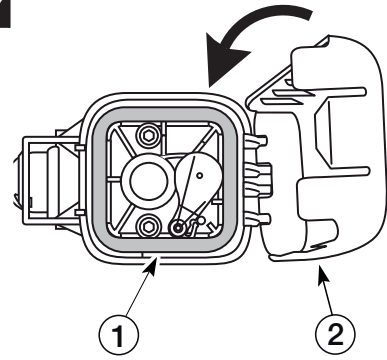
13



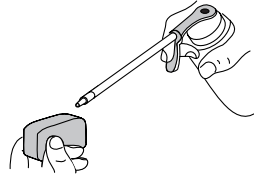
14



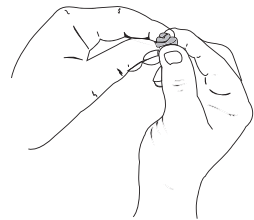
17



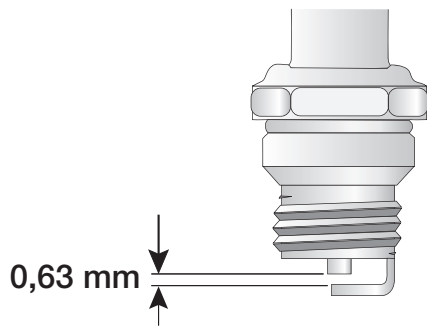
15



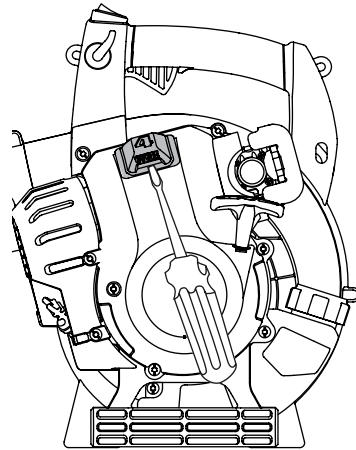
16



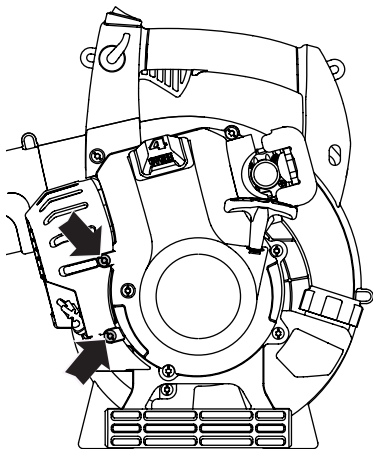
18



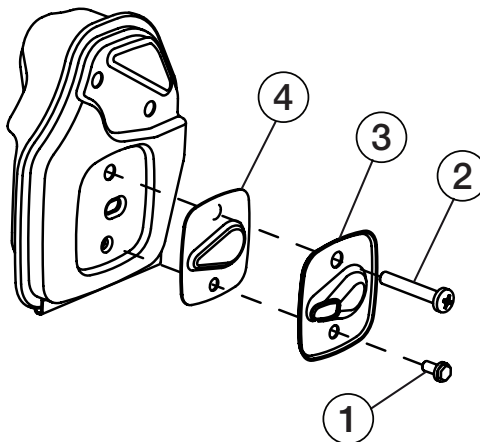
19



20



21



## Contents

Safe operating practices . . . . .	6
Operating and display elements . . .	8
Installation manual . . . . .	8
Oil and petrol . . . . .	9
Operation . . . . .	9
Maintenance and cleaning . . . . .	10
Transportation . . . . .	11
Warranty . . . . .	11
Troubleshooting . . . . .	12

## Details on the ratings plate

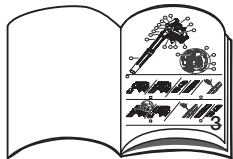
Enter all information on the rating plate of your unit in the following field. You can find the rating plate near the engine.

These specifications are very important for subsequent identification when ordering spare parts and for customer service.

_____
_____
_____

These and other details for your appliance can be found on the separate CE declaration of conformity that forms an integral part of these operating instructions.

## Illustrations



## Safe operating practices

### Using the unit correctly

This unit is designed exclusively for use

- as a leaf blower around the outside of the house and in the garden,
- according to the descriptions and safety instructions indicated in this operating manual.

It is not permitted to use this unit for any other purposes. The user is liable for all injuries to third parties and damage to their property.

Operate the unit only in the technical condition as stipulated and delivered by the manufacturer.

Arbitrary changes to the unit will exclude the manufacturer from any liability for resulting injury and/or damage.

### Read all instructions before operating

- Please read these instructions carefully. Familiarize yourself with the operation and handling of the unit.
- Do not use this unit if you are tired or ill or under the influence of alcohol, drugs or medication.
- Children and persons under the age of 16 must not operate the unit – local regulations may specify the minimum age of users.
- This unit is not designed to be used by persons (including children) who have limited physical, sensory or mental abilities or who have no experience and/or knowledge of the unit, unless they are supervised by a person responsible for their safety or they have been instructed by the person how to use the unit. Children should be supervised to ensure that they do not play with the unit.
- Check the unit before using it. Replace damaged parts. Check whether fuel is leaking out. Ensure that all connections are attached and tight. If these instructions are not followed, the user and bystanders may be injured or the unit damaged.
- Always be aware of the risk of injury to head, hands and feet.
- Keep children, onlookers and animals out of the area in which you want to work. Keep children, bystanders and animals at a minimum distance of 15 m; there is always a risk of bystanders being hit by ejected objects. Bystanders should wear eye protection. If you are approached, switch off the engine immediately.

## Safety instructions for petrol-driven units

Petrol is highly flammable and the vapours may explode if ignited.

Take the following precautions:

- Store petrol in designated and permitted containers only.
- Keep ignition sources away from spilled petrol. Do not start the engine until the petrol vapours have evaporated.
- Before filling the tank, always switch off the engine and leave it to cool down. Never remove the tank cap or fill the tank while the engine is hot. Before using the unit, ensure that the tank cap is screwed on tightly. Slowly unscrew the tank cap to reduce the pressure in the tank gradually.
- Fill the petrol tank in a clean, well ventilated area outdoors where there are no sparks or flames. After switching off the engine, slowly unscrew the tank cap. Do not smoke while handling petrol. Immediately wipe any spilled petrol off the unit.
- Before switching on the engine, carry the unit at least 10 m away from the filling station. While filling the tank or using the unit, do not smoke and keep sparks and naked flames out of the area.

## Operating the unit

- Use this unit for its designated purpose only.
- Never start the unit and never leave it running in a closed room or building. The inhalation of exhaust gases may be fatal. Use the unit outdoors only.
- Wear thick, long trousers, boots and gloves.
- Wear eye and ear protection when using the unit. If working in a dusty environment, wear a face or dust mask. A long-sleeved shirt is recommended.
- Keep hair, clothing and gloves away from moving parts. Loose clothing, jewellery or long hair may become caught by moving parts. If required, wear a hair net.



- To prevent an electrostatic charge, wear shoes with rubber soles or a similar material.
- Do not stretch too far over the unit. Always have a secure footing and keep your balance. Do not use on an unstable surface such as a ladder, etc.
- Do not use this unit unless it is fully assembled. Do not use the unit without the blow pipe fitted.
- Before carrying out any care and maintenance work or installing and removing the blow pipe, switch off the engine and remove the spark-plug terminal.
- Operate the unit in daylight or adequate artificial lighting only.
- Do not touch the engine or muffler. These parts become very hot while the unit is being used. They remain hot for a short time even when the unit is switched off.
- Do not run the engine faster than is required for the work. Do not run the engine at a high speed when you are not working.
- Avoid starting the unit unintentionally. Be ready to operate the unit when you pull the starter rope. User and unit must be in a stable position when the unit is started. Follow the instructions for starting and stopping the engine.
- If the unit hits or becomes ensnared by a foreign object, immediately switch off the engine and check for damage. Never use the unit with loose or damaged parts.
- While the engine is running, never place the unit on dusty or dirty surfaces. Dirt, grass, foliage, etc. may be drawn in and cause injuries and/or damage the unit.
- If unusual vibrations occur, switch off the engine immediately. Check the unit for damage. If the unit is damaged, contact a specialist company.
- Keep hands, face and feet away from all rotating parts. Do not touch the rotor while it is rotating and do not try to stop it either.
- If the unit is operated for a prolonged period, the vibrations may cause circulatory disorders, symptoms of fatigue or nerve damage to hand/fingers. Take suitable precautions (take breaks, wear warm gloves if it is cold). If symptoms occur repeatedly (e.g. tingling fingers), consult a doctor.
- Never use this unit to spread chemical products, fertilisers or other substances which contain toxic substances.
- Never point the unit at persons, pets or windows. Always blow in a direction in which there are no persons, animals or fragile, solid surfaces (e.g. windows, walls, cars).

### Other safety instructions

- Before storing or transporting the unit, leave the engine to cool down.
- Protect your unit while it is being transported.
- Empty the fuel tank before transporting the unit.
- Store the unit in a dry, closed room to prevent unauthorised use or damage. Keep the unit away from children.
- Never douse or splash the unit with water or other liquids. Keep the unit dry, clean and free of dust. Clean the unit after each use and follow the instructions for cleaning and storage.
- Dispose of waste petrol/oil or any packaging remnants in accordance with local regulations.
- Use only original spare parts for repairs. These parts can be purchased from your authorised dealer.
- Never use parts, accessories or attachments which are not authorised for this unit. Otherwise, the user may be seriously injured and the unit damaged. In addition, your warranty may be deemed null and void.
- Have all repairs carried out by a repair shop only.

- Keep this manual. Read it frequently and use it to instruct other users. If you lend this unit to somebody else, also include this manual.

### Operating times

Observe the national/municipal regulations concerning times of use (if required, ask your local authority).

### Symbols on the appliance

This operating manual describes safety and international symbols and pictograms which may be displayed on this unit. Read this user handbook in order to familiarise yourself with all safety, installation, operating and repair instructions.



#### Safety and warning symbol

*Indicates danger, warning or a reason to be cautious. Can be used together with other symbols or pictograms.*



#### Read operating manual!!

*Failing to follow these rules and precautionary measures may cause grievous injury. Read the operating manual before starting or operating the unit.*



#### Wear eye and ear protection.

*Ejected objects may cause serious eye injuries and excess noise may cause loss of hearing. When operating the unit, wear eye and ear protection.*



#### Keep bystanders away!

*All bystanders, especially children and pets, must be kept at least 15 m from the working area.*



**Ejected objects and rotating parts may cause serious injuries!**

Keep away from the blow outlet opening. Never point the unit at persons, animals or objects. Do not operate the unit without the blow pipe completely fitted.



**Beware of rotating parts!**

Stop engine and wait until all moving parts come to a standstill before you clean the unit or perform any work on the unit.



**Beware of hot surfaces!**

Do not touch hot muffler cover, gearbox or cylinder. You could burn yourself. These parts become extremely hot while the unit is being used. They remain hot for a short time even when the unit is switched off.



**Petrol!**

Always use clean and fresh lead-free petrol.



**Oil!**

Use only permitted oil in accordance with the operating instructions.



**Intake pump/primer**

Slowly press 10x on the intake pump as far as it will go.



**Ignition switch**  
ON/START/RUN



**Ignition switch**  
OFF or STOP

### 1 2 3 Choke settings

- 1 Full choke – start position
- 2 Half choke – intermediate position
- 3 Operating position

Ensure that these symbols on the unit are always in a legible state.

### Symbols used in this manual

The following symbols are used in this manual:

#### **Danger**

They refer to dangers which are connected with the described activity and which may result in injury.

#### **Caution**

They refer to dangers which are connected with the described activity and which may result in damage to property.

#### **Note**

Indicates important information and application tips.

### Operating and display elements

#### **Caution.**

#### **Damage to the appliance**

This first describes the control and display functions. Do not execute any of these functions yet!

Fig. 1

- 1 Engine
- 2 Starter rope
- 3 Air filter cover
- 4 Carrying handle
- 5 Throttle
- 6 Ignition switch
- 7 Cruise control
- 8 Spark-plug terminal
- 9 Pipe lock
- 10 Engine unit connector
- 11 Blow pipe
- 12 Blow nozzle
- 13 Fuel tank
- 14 Tank cap
- 15 Blower

- 16 Choke lever
- 17 Intake pump/primer
- 18 Silencer cover
- 19 Oil plug
- 20 Feet

### Installation manual

#### **Danger**

Risk of injury from engine being started unintentionally. Protect yourself from injury. Before working on the engine:

- Switch off the engine,
- Wait until all moving parts have come to standstill; the engine must have cooled down.
- Remove spark-plug terminal.

#### **Disposal instructions**

Dispose of packaging remnants, old units, etc., in accordance with local regulations.

### Installing and removing blow pipe and blow nozzle

- Hold unit or blow pipe securely.

#### Installation

Fig. 2a

- Push cylindrical end of the blow pipe into the motor unit connector (14) and attach by turning it one quarter rotation clockwise until the pipe lock engages.

Fig. 2b

- Push the blow nozzle onto the blow pipe and attach by turning it one quarter rotation clockwise (bayonet catch).
- Screw the screw (depending on model) into the holes which are now in alignment. **Do not overturn!**

#### Removing the blow pipe

Fig. 3a

- Insert a flat-blade screwdriver into the pipe lock, turn one quarter rotation anti-clockwise and hold in this position.
- Turn blow pipe anti-clockwise and pull out.



## Removing the blow nozzle

Fig. 3b

- Unscrew the screw (depending on model).
- Turn blow nozzle anti-clockwise and pull out.

## Oil and petrol

### Oil

#### **Caution**

- For reasons of transportation the unit is delivered without engine oil.
- Before switching on the unit for the first time, fill the engine with engine oil.
- Before switching on the unit, always check the oil level.

Use only 4-stroke oils SAE 30 belonging to classification SF, SG, SH.

#### Topping up the engine oil

#### **Caution**

Never pour oil into the petrol tank and never mix oil with petrol.

#### **Note**

Depending on the model, oil (60 ml) for the initial filling is enclosed with the unit (Fig. 10). Keep the bottle to ensure that the correct amount is used for a subsequent oil change.

Fig. 11

- Incline engine unit until the oil-filling orifice is in an upright position.
- Unscrew the oil plug.
- Pour in 60 ml of oil.
- Clean oil-filling orifice if oil has run over.
- Screw in the oil plug again.

### Petrol

#### **Danger**

Under certain conditions petrol is extremely flammable and explosive.

- Refuel only in a well ventilated area and with the engine switched off. Do not smoke and switch off all ignition sources in the vicinity of the tank or at the fuel storage depot.

- Do not overfill the fuel tank (there must be no fuel in the inlet nozzle). After filling up the petrol tank, ensure that the tank cap is closed and secured.
- When filling up the petrol tank, do not spill any fuel. Spilled fuel or petrol vapours may ignite. If fuel was spilled, wipe up immediately and ensure that the area has dried before restarting the engine.
- Prevent repeated or prolonged skin contact or inhalation of the vapours.

Always use clean, fresh lead-free petrol (maximum 60 days old).

#### Fill the tank with petrol.

Fig. 4

- Remove the tank cap (14).
- Fill fuel tank (13). Never overfill! Immediately remove any fuel which has run over.
- Close fuel tank tightly.
- Move the unit approx. 10 m from the filling station/fuel container before starting the engine.

## Operation

#### **Caution**

- When starting and operating the engine, ensure that the unit is not pointing at persons, animals, objects or litter or hard objects such as glass.
- While using the unit, wear eye and hearing protection.
- While using the unit, hold it correctly (Fig. 8).
- Check that the unit is in good working order and that the blow pipe is attached.
- After use:
  - Clean the unit.
  - Dispose of refuse in accordance with local regulations.

### Starting the engine

#### **Danger**

Start engine when the unit is on the ground.

#### **Note**

When starting the engine, do not press the throttle. Check that the cruise control is in the upper position.

1. Fill the tank with petrol. See **OIL AND PETROL**.
2. Check oil level and, if required, top up the oil.
3. Move the ignition switch (1/Fig. 5) to the **On [I]** position.
4. Slowly and fully press intake pump/primer (1/Fig. 6) 10x. The fuel must be visible in the pump. If this is not the case, keep pressing until fuel is visible.
5. Move choke lever (2/Fig. 6) to position **1/|→|**.

#### **Note**

The engine starts at idle speed. Do not actuate the throttle!

6. With the unit on the ground, pull out the starter cable by approx. 10 cm. Then pull the starter rope 5 times in a **controlled and smooth movement** (Fig. 7).
7. Move choke lever (2/Fig. 6) to position **2/|↖|**.
8. Pull starter rope 3–5 times in a **smooth movement** to start the engine.
9. Actuate throttle or move the cruise control down and leave the engine to warm up for 30–60 sec.
10. Set choke lever (2) to position **3/|↑|** (Fig. 6). The unit is now ready to use.

#### If the engine does not start:

- Repeat starting process from Point 4.

#### If the engine still does not start:

- Set choke lever (2) to position **3/|↑|** (Fig. 6).
- Pull starter rope 3–8 times in a **smooth movement** to start the engine.
- Repeat if required.

**i Note**

At lower temperatures the engine may require longer to warm up and reach maximum speed. The unit has warmed up adequately when the engine accelerates without faltering. If the engine falters, move the choke lever to position 2/| (Fig. 6) and leave the engine to warm up longer.

**Starting with a warm engine:**

- Move choke lever (2/| Fig. 6) to position 2/| . The throttle must not be pressed!
- Pull starter rope 3–5 times in a **smooth movement** to start the engine.

**Operating the throttle/cruise control**

Fig. 5

- To accelerate the engine, press the throttle (2).

For prolonged operating times and to avoid tired hand/fingers the cruise control can be used.

- To lock the throttle in the temporary setting, move cruise control (3) down.
- To change the throttle setting, move cruise control up or down to the required position.
- To release the throttle again, move cruise control all the way up.

**i Note**

When the cruise control is moved, the throttle also moves!

**Stopp the engine**

Fig. 5

- Release throttle (2) or move cruise control (3) all the way up. Leave the idling engine to cool down.
- Move the ignition switch (1) to the **Stop [0]** position.

**Holding the unit**

When you are using the unit:

- Start the engine.
- Adopt the work position (Fig. 8). Always hold the unit with your right hand and always stand on the left side of the unit.

**User information**

Use in areas which are difficult to clean:

- Flowerbeds, bushes, trees
- House corners
- Grilles, fences, etc.
- Hold the unit in the operating position.
- Hold the blow pipe several centimetres above the ground and make sweeping movements from side to side.
- Walk slowly forwards.
- Keep the collected pile of refuse in front of you.
- A reduced engine speed is best for light-weight material.
- Use a higher engine speed for heavier material and coarse dirt.

**Maintenance and cleaning****⚠ Caution**

*Before working on the unit:*

- *Switch off the engine.*
- *Wait until all moving parts have come to standstill; the engine must have cooled down.*
- *Remove spark-plug terminal from the engine to prevent the engine from starting unintentionally.*

*Have all repairs carried out by a repair shop only.*

*At the end of the season have the unit inspected and serviced by a specialist company.*

*Observe the maintenance intervals according to the maintenance schedule. Non-observance may result in serious engine damage.*

**Maintenance schedule**

Maintenance work	Always before use	every 10 hours	every 40 hours
Check fuel and oil level	x		
Clean/oil air filter		x	
1 <sup>st</sup> time Change oil		x	
Change oil			x
1 <sup>st</sup> Check and adjust valve play *		x	
Check and adjust valve play *			x
Check spark plug/spark-plug terminal			x
Clean spark arrestor			x

\* Have this work carried out by a specialist company.

**Checking the oil level**

- Place unit on its feet on a level, elevated surface.
- Clean the area around the oil plug.
- Unscrew the oil plug.
- Checking the oil level. The oil should reach up to the lowest thread turn (Fig. 12).
- If the oil level is too low, top up oil in small quantities until the oil level reaches the lowest thread turn.
- Screw in the oil plug again.

**i Note**

Do not pour in too much oil! Ensure that the O-ring is seated correctly on the oil plug.

**Changing the oil****i Notes**

- The engine should still be warm (**not hot**).
- Dispose of waste oil in accordance with local regulations.
- Unscrew the oil plug.
- Pour all the oil out of the filling orifice into a container. To do this, position the unit vertically (Fig. 9).
- Wipe off oil residue/dirt.

- Fill engine with 60 ml of 4-stroke oil SAE30 belonging to classification SF, SG, SH (Fig. 11).
- Screw in the oil plug again.

### Servicing the air filter

- Open air filter cover (1). To do this, press the catch and open the cover (Fig. 13).
- Take out air filter (2/ Fig. 13).
- Clean filter with a household detergent and water. Rinse out thoroughly and leave to dry (Fig. 14).
- Lightly oil filter with clean oil SAE30 (Fig. 15).
- Press filter together to remove excess oil (Fig. 16).
- Install filter (1/ Fig. 17).

#### **i** Note

If the unit is operated without a filter, the guarantee/warranty will be deemed null and void.

- Close the air filter cover (2/ Fig. 17) again, ensuring that it locks into place.

### Check/replace spark plug

- Remove spark-plug cover (Fig. 19).
- Remove spark-plug terminal.
- Remove dirt from around the spark plug.
- Unscrew spark plug to the left with a spark plug wrench.
- Check/set the electrode gap **0.63 mm** (Fig. 18).

#### **i** Note

Replace a damaged, sooted or dirty spark plug.

- Screw in the spark plug and tighten to a torque of 12.3–13.5 Nm. Do not tighten too tightly.
- Re-attach spark-plug cover.

### Maintaining the spark arrestor

- Loosen screws on the silencer cover and remove the cover (Fig. 20).
- Loosen screws (1 and 2/ Fig. 21).
- Remove spark arrestor cover (3/ Fig. 21).
- Clean spark arrestor (4/ Fig. 21) with a wire brush or replace.
- Re-attach spark arrestor, spark arrestor cover and silencer cover.

### Cleaning the unit

Use a small brush for cleaning the outside of the unit. Do not use abrasive detergents. Household cleaners which contain aromatic oils such as pine oil or lemon as well as solvents such as kerosene may damage the plastic housing and handle. Wipe damp areas with a soft cloth.

### Storage

- Never store the unit with fuel in the tank or in a location where petrol vapours may be ignited by a spark or naked flame.
- Before storing the unit, leave the engine to cool down.
- Store the unit in a dry, closed room to prevent unauthorised use or damage. Keep the unit away from children.

### Long-term storage

#### **i** Note

Engines, which are stored for longer than 30 days, should not have any fuel in the tank to prevent the formation of residue in the fuel system, in particular on important parts of the carburettor.

If the unit is to be stored for a prolonged period, proceed as follows:

- Drain all the fuel out of the tank into a fuel container. Do not use fuel which has been stored for longer than 60 days.
- Start the engine and leave running until it stops. This ensures that all the fuel has been drained out of the carburettor.
- Leave the engine to cool down. Remove the spark plug and pour 15 ml of high-quality engine oil for 4-stroke engines into the cylinder. Slowly pull the starter rope to distribute the oil. Reinsert the spark plug.

#### **i** Note

After storing and before reusing the unit, remove the spark plug and drain all the oil out of the cylinder.

- Change oil. Dispose of waste oil in accordance with local regulations.
- Thoroughly clean the unit and check for damaged and loose components. Repair or replace damaged components and, if required, retighten the screws, nuts and bolts. The unit is now ready storage.
- Store the unit in a dry and secure location or at an adequate height to prevent any inadvertent use or damage. Keep out of the reach of children.

### Transportation

- Before transporting the unit, leave it to cool down.
- Empty the fuel tank before transporting the unit. Filler cap must be closed tightly.
- Secure the unit to prevent it from shifting during transportation.

### Warranty

The warranty regulations issued by our company or the importer are valid in all countries. We shall repair any faults on your unit free of charge in accordance with the warranty, provided the fault was due to defective materials or manufacturing. If claiming under the warranty, please contact your seller or your nearest branch

## Troubleshooting

---

Error	Cause	Procedure
Engine does not start.	Ignition switch set to OFF.	Set switch to ON.
	Fuel tank empty.	Fill fuel tank.
	Old fuel.	Empty tank and fill with fresh petrol.
	Primer not depressed adequately.	Slowly and fully depress primer 10 x.
	Engine flooded.	Start the unit with choke lever in position <b>3/ † </b> .
	Dirty spark plug.	Replace or clean spark plug.
	Spark arrester dirty.	Clean or replace spark arrester.
Engine does not run constantly at no load.	Air filter blocked.	Clean or replace air filter.
	Old fuel.	Empty tank and fill with fresh petrol.
	Carburettor incorrectly adjusted.	Have the carburettor adjusted by a specialist company.
Engine does not accelerate.	Old fuel.	Empty tank and fill with fresh petrol.
	Carburettor incorrectly adjusted.	Have the carburettor adjusted by a specialist company.
	Air filter blocked.	Clean or replace air filter.
	Spark arrester dirty.	Clean or replace spark arrester.
The engine has no power or the unit is not blowing.	Damaged blow turbine.	Have defective parts replaced by a specialist company.
Strong vibrations.	Damaged blow turbine or other parts.	<b>Switch off the unit immediately.</b> Have defective parts replaced by a specialist company.

If you have any further questions, please contact your authorised dealer on site.